



Focus on the big ones

Ball valve
type 546
in the dimensions
DN65 to DN100

● Safety in every detail

ergonomic lever
with optional locking

integrated tool for
the union bush

rated breaking
point in the stem

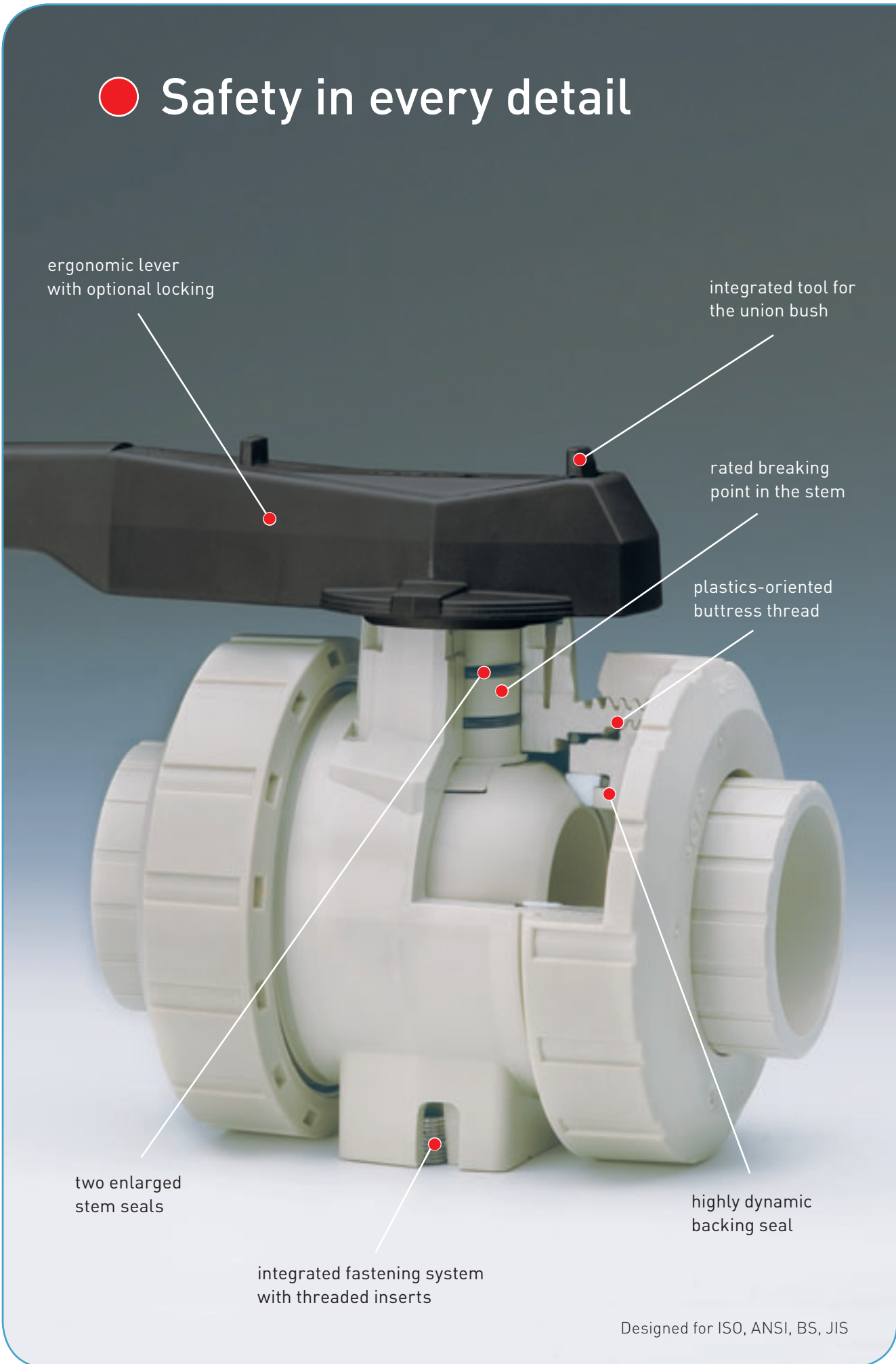
plastics-oriented
buttress thread

two enlarged
stem seals

highly dynamic
backing seal

integrated fastening system
with threaded inserts

Designed for ISO, ANSI, BS, JIS



The system overview

A complete program

for a technically refined system:

The 546 Ball Valve is another innovative product from GF Piping Systems, which comprises extensive know-how and the latest technology. A broad spectrum of product features provides you with quality, flexibility, reliability and most notably modularity.

We have expanded our program to include DN65 to DN100 – in the materials PVC-U, PVC-C, ABS and PP-H.

We have the right ball valve for all your industrial applications. International compatibility is also given with all the standard connections, such as ISO, ANSI, BS and JIS.

From manual valve to control valve:

The 546 Ball Valve is extremely versatile. From the no-frills standard version to the high-tech actuated version and with a wide range of accessories to

choose from, we have a model that fits your needs exactly. Even the manual version has additional options sure to interest you, such as an integrated fastening system and a lockable lever with indexing. The multifunctional module provides feedback on the «open/closed» valve position in a variety of

signals. It also serves as an interface for electric or pneumatic actuators. So you see: multifunctionality is the order of the day.



Standard Ball Valve

Ball Valve with lockable index lever; optional electric feedback

Ball Valve with fine adjustment

Ball Valve with pneumatic actuator – double acting, optional manual override

Ball Valve with electric actuator

The Ball Valve 546 in the dimensions DN

Georg Fischer has a 200-year tradition of durability and reliability. Our products are a guarantee of quality, functionality and innovation.

The ball valve type 546 is a perfected product, embodying GF Piping Systems' extensive experience in the field of plastic valves. The new dimensions DN65 to DN100 complement the existing DN10 to DN50 series. The design, which expresses form and function ideally, is consistent for the whole type series.

All-around perfection

The ball of the type 546 has a smooth, glassy surface, guaranteeing excellent leak tightness in the passage and preventing the formation of deposits, while also maintaining a low actuation torque. The ball seal features a positive fit. The special backing seal makes sure the passage is sealed tight – even if there is pulsation or water hammer. The backing O-ring, which being a dynamic seal presses the ball seal on the ball, always remains in position. The union bush with left-hand thread, which causes the floating ball to remain tight, is another sophisticated feature.

Made for plastics – the buttress thread

A plastics-oriented jointing technology has been realized for the ball valve type 546 in the buttress thread.

Compared to the trapezoidal thread, the buttress thread delivers:

- approx. 50% higher overlapping on the thread flanks
- no radial-force components due to contact of vertical flanks in the utilized direction
- max. protection against displacement of coupling nut in case of water hammer.

Ingenious solutions

Integrated feedback

The electric feedback provides information on the actual status of the system. It is integrated in the optional multifunctional module, which offers even more extras:

- splash-proof thanks to covering of the enclosed switches
- safe torque transmission with stainless steel coupling

Integrated fastening

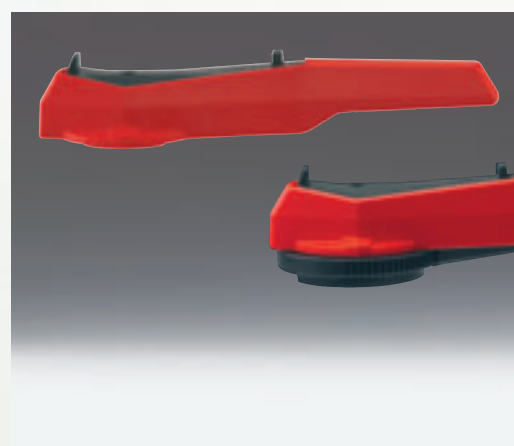
The ball valve type 546 is easy to mount with the built-in stainless steel threaded inserts. No need to fasten a holding fixture to the valve. Mounting is fast and easy.

Integrated tool

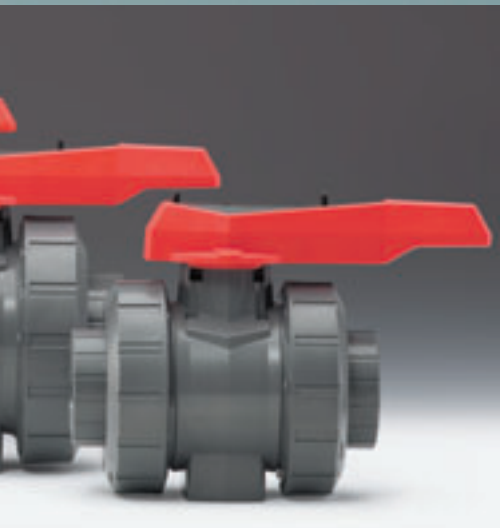
The fiberglass-reinforced polypropylene (PPGF) lever is more than just a handle – it contains the tool for adjusting the union bush. So you always have the right tool for adjustments at hand.

Multitalented: Lever and module

The ball valve type 546 has been conceived with a great deal of thought given to function and



65 to DN100



Type 546 in DN65 to DN100

e.g. in PVC-U
with solvent cement socket



Safe connection:

Plastics-oriented buttress thread on coupling nut and union bush



Integrated

fastening system:

Comes with optional threaded inserts for direct mounting

Lockable lever with 5° increments:

Protects against unauthorized use and indicates the aperture angle of the ball

Electric feedback:

Complete process monitoring and process documentation, also for manual valves

Three lever versions:

Standard, lockable with 5° increments, or clampable in any desired position



design. These consistent details guarantee comfort and safety:

- ratchet setting in increments of 5°
- exact, safe positioning
- lockable and protected against unauthorized use
- made of rugged PPGF

The GF Piping Systems multifunctional module is a real pro.

It allows you to expand the ball valve's range of possibilities with a variety of important functions. The benefits of this module are:

- standardized, mechanical interface according to EN ISO 5211
- all-plastic housing and robust construction ensure secure fastening of the type 546
- optional microswitches in Ag-Ni, Au as well as inductive switches with NPN, PNP and Namur (as electric feedback and position indicator for manual and actuated valves)

Standards and approvals

- EN ISO 16135:
Industrial valves –
Thermoplastic ball valves
(ISO 16135:2006)
- ISO 9393:
Thermoplastic ball valves for
industrial applications
- EN 558 (in preparation):
Face-to-face length of valves with
flanges
- DIBt (Deutsches Institut
für Bautechnik- German center of
competence for civil engineering),
pending
- NSF 61: System components for
drinking water, pending

GF Piping Systems know-how



Precision and reliability is exercised for every process step up to final assembly. Our qualified and experienced staff makes sure that the necessary quality is realized at all times.

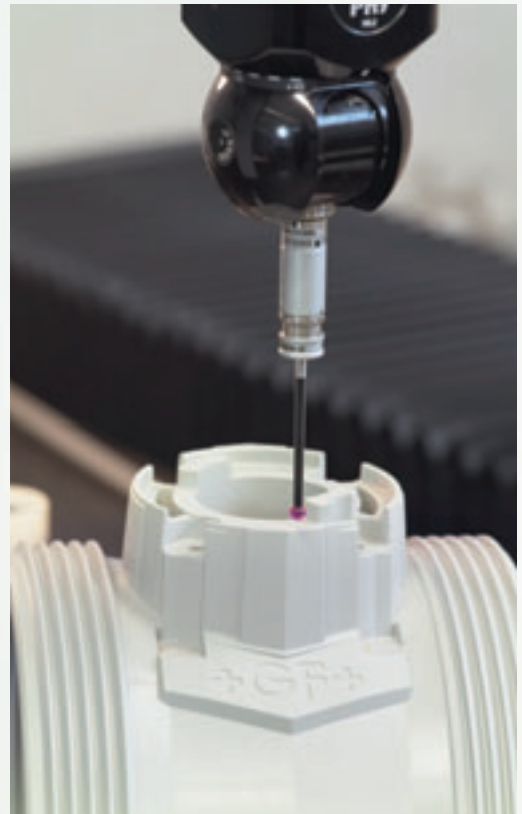
To determine their service life, our ball valves are tested at full medium pressure for over 50,000 cycles.



GF Piping Systems has approx. 500 approvals worldwide for its products. These are obtained and monitored in our test laboratory, accredited to EN ISO IEC 17025.

Tests performed at GF Piping Systems have an identical rating as testing by approval authorities.

Tests are conducted in the development stage and later in running production. The standards for production quality are an integral part of the stringent guidelines of GF Piping Systems. For example, central components are subjected continuously to leak testing during production.



All the individual ball valve components are precision tested in the factory with state-of-the-art measurement technology.

Support and service included



Innovative products and first-class service – inseparable for GF Piping Systems. For us, it goes without saying that we support you in every stage of your project. Our competent employees discuss the technical details with you on location and put together a package for your specific application. This means you always have a system solution which is exactly right for you.

Planning made easy:

CAD product library

GF Piping Systems supplies a CAD product library free of charge – an excellent tool for planning and visualization.

You will find our product ranges in many 2D/3D data formats.

Data formats

e.g.: IGES, STEP, DXF, DWG, JPG

Systems

AutoCAD®, Inventor®, CATIA, Pro/ENGINEER

Order our CD-ROM under Planning Fundamentals at:

www.piping.georgfischer.com



GF Piping Systems → worldwide at home

Our sales companies and representatives ensure local customer support in over 100 countries.

www.piping.georgfischer.com



The technical data are not binding and not expressly warranted characteristics of the goods. They are subject to change. Our General Conditions of Sale apply.

Adding Quality to People's Lives

Australia

Georg Fischer Pty Ltd
Unit 1, 100 Belmore Road
Riverwood NSW 2210 Australia
Phone +61(0)2/9502 8000
australia.ps@georgfischer.com
www.georgfischer.com.au

Austria

Georg Fischer
Rohrleitungssysteme GmbH
3130 Herzogenburg
Phone +43(0)2782/856 43-0
austria.ps@georgfischer.com
www.georgfischer.at

Belgium/Luxembourg

Georg Fischer NV/SA
1070 Bruxelles/Brüssel
Phone +32(0)2/556 40 20
be.ps@georgfischer.com
www.georgfischer.be

Brazil

Georg Fischer Ltda
04795-100 São Paulo
Phone +55(0)11/5687 1311
br.ps@georgfischer.com

China

Georg Fischer
Piping Systems Ltd Shanghai
Pudong, Shanghai 201319
Phone +86(0)21/58 13 33 33
china.ps@georgfischer.com
www.cn.piping.georgfischer.com

Denmark/Iceland

Georg Fischer A/S
2630 Taastrup
Phone +45 (0)70 22 19 75
info.dk.ps@georgfischer.com
www.georgfischer.dk

France

Georg Fischer SAS
Bâtiment Le Rabelais Paris Nord 2
22 Avenue des Nations
BP 88026 Villepinte
95932 Roissy Charles de Gaulle Cedex
Phone +33(0)1 41 84 68 84
fr.ps@georgfischer.com
www.georgfischer.fr

Germany

Georg Fischer GmbH
73095 Albershausen
Phone +49(0)7161/302-0
info.de.ps@georgfischer.com
www.vgd.georgfischer.de

India

Georg Fischer Piping Systems Ltd
400 076 Mumbai
Phone +91 224007 2001
in.ps@georgfischer.com
www.georgfischer.in

Italy

Georg Fischer S.p.A.
20063 Cernusco S/N (MI)
Phone +3902/921 861
it.ps@georgfischer.com
www.georgfischer.it

Japan

Georg Fischer Ltd
556-0011 Osaka,
Phone +81(0)6/6635 2691
jp.ps@georgfischer.com
www.georgfischer.jp

Korea

Georg Fischer Piping Systems
#902 Ace Techno-Tower III
197-48, Guro-dong, Guro-gu
Seoul 152-050 Korea
Phone +82 2 851 3861/3862
Fax +82 2 851 3844
kor.ps@georgfischer.com

Malaysia

Georg Fischer (M) Sdn. Bhd.
47500 Subang Jaya
Phone +60 (0)3-8024 7879
conne.kong@georgfischer.com.my

Middle East

Georg Fischer Piping Systems
Dubai, United Arab Emirates
Phone +971 4 289 41 20
gfdubai@emirates.net.ae
www.piping.georgfischer.com

Netherlands

Georg Fischer N.V.
8161 PA Epe
Phone +31(0)578/678 222
nl.ps@georgfischer.com
www.georgfischer.nl

Norway

Georg Fischer AS
1351 Rud
Phone +47(0)67 18 29 00
no.ps@georgfischer.com
www.georgfischer.no

Poland

Georg Fischer Sp. z o.o.
02-226 Warszawa
Phone +48(0)22/313 10 50
poland.ps@georgfischer.com
www.georgfischer.pl

Romania

Georg Fischer
Piping Systems Ltd
020257 Bucharest - Sector 2
Phone +40(0)21/230 53 80
ro.ps@georgfischer.com

Russia

Georg Fischer Piping Systems
Office 14a, 3 Entrance, 9 Floor
Business Center Parus
1st Tverskaya-Yamskaya Street, 23
Moscow 125047
Tel. +7 495 258 60 80
ru.ps@georgfischer.com

Singapore

Georg Fischer Pte Ltd
528 872 Singapore
Phone +65(0)67 47 06 11
sgp.ps@georgfischer.com
www.georgfischer.com.sg

Spain/Portugal

Georg Fischer S.A.
28046 Madrid
Phone +34(0)91/781 98 90
es.ps@georgfischer.com
www.georgfischer.es

Sweden/Finland

Georg Fischer AB
12523 Alvsjö-Stockholm
Phone +46(0)8/506 775 00
info.se.ps@georgfischer.com
www.georgfischer.se

Switzerland

Georg Fischer
Rohrleitungssysteme (Schweiz) AG
8201 Schaffhausen
Phone +41(0)52 631 30 26
ch.ps@georgfischer.com
www.piping.georgfischer.ch

Taiwan

Georg Fischer Piping Systems
2F, No. 88, Hsing Te Road
San Chung City
Taipei Hsien, Taiwan [R.O.C.]
Phone +886 2 8512 2822
Fax +886 2 8512 2823

United Kingdom/Ireland

Georg Fischer Sales Limited
Coventry, CV2 2ST
Phone +44(0)2476 535 535
uk.ps@georgfischer.com
www.georgfischer.co.uk

USA/Canada/Latin America/Caribbean

Georg Fischer Inc.
Tustin, CA 92780-7258
Phone +1(714) 731 88 00
Toll Free 800/854 40 90
us.ps@georgfischer.com
www.us.piping.georgfischer.com

Export

Georg Fischer
Piping Systems (Switzerland) Ltd.
8201 Schaffhausen
Phone +41 (0)52-631 30 26
Fax +41 (0)52-631 28 93
export.ps@georgfischer.com
www.piping.georgfischer.ch

GMST 6000/4 (10.06)

© Georg Fischer Piping Systems Ltd.
8201 Schaffhausen/Switzerland, 2006
Printed in Switzerland

+GF+

GEORG FISCHER PIPING SYSTEMS